



REHASENSE

CARBON FIBRE  
ELEGANCE AND  
PERFORMANCE



# SERVER CF

CARBON FIBRE TECHNOLOGY

**Server CF** – carbon fibre composite rollators highlight the elegance and performance of the Rehasense range of rollators. Lightweight from 5 kg, **Server CF** can be used for users up to 150 kg.



# SERVER CF

CARBON FIBRE TECHNOLOGY

## FOLDABLE AND EASY TO CARRY

**Server CF** is easy to fold and stays folded with an easy-to-use locking system. Ergonomically designed handle grips make **Server CF** easy to transport, if needed.

## STEADY AND DURABLE

The frame and seat are tested and approved for the maximum user weight of 150 kg. Light and reliable brakes with TPE-covered unbreakable wheels, create a steady and safe driving feeling.

## HEIGHT ADJUSTABLE

**Server CF** push handles height adjustable to 10 positions, from 63 cm to 102 cm. User comfort is ensured with three different seat heights - 62, 55 and 50 cm - as well as optimal frame design and ergonomic push handles.

## ACCESSORIES

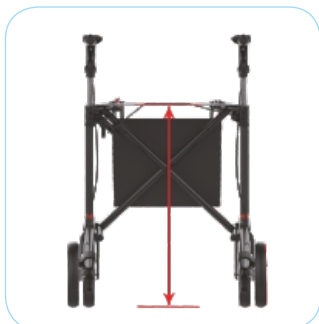
**Server CF** can be fitted with a broad range of accessories from Rehasense.



REHASENSE



Smooth adjustable handle height and lockable handbrakes.



Seat heights 62 and 55 cm.



Maintenance free brakes and TPE-covered unbreakable wheels.



Unique triangle carbon fibre profile ensures the durability up to 150 kg.



Stays firmly closed with the lock and is easy to open with the push button.



Practical easy-to-remove shopping bag with special designed easy-to-go clips.

## TECHNICAL INFORMATION

Max. user weight: 150 kg

Item no:

Large: CRBKL60UK

Medium: CRBKM55UK

Measurements:

(width x depth x height)

Large: 61 x 68 x 74-102 cm

Medium: 61 x 68 x 66-86 cm

Seat width: 46 cm

Transportation

measurements folded:

(depth x height x width)

Large: 68 x 79 x 22,5 cm

Medium: 68 x 74 x 22,5 cm

Weight:

Large: 5,2 kg (+ bag 370 g)

Medium: 5,1 kg (+ bag 370 g)

Shopping bag:

(width x depth x height)

32 x 15 x 28 cm

Max. load 5 kg.



**Server CF** is CE -marked and fulfils the requirements of EU directive 93/42 EEC for medical devices.

Copyright © Rehasense® 2019

www.rehasense.com

Rehasense UK  
Mobility House  
Marsh Lane Industrial Park  
Hayle, Cornwall  
TR27 5JR

info@rehasense.com