

# Part No. ML308-LED

## Maggylamp LED Exam Light Data Sheet

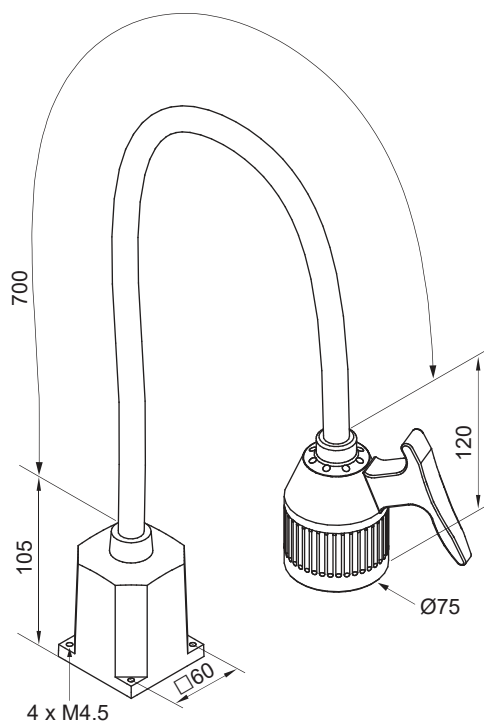


<b>Fitted with</b>	3 x 1.5 watt LED chips
<b>Light output</b>	16,000 lux at 30cm
<b>Colour temp</b>	Cool white, 5500k
<b>Operation</b>	Switch on handle
<b>Operating voltage</b>	100-240VAC, 50Hz
<b>Power Lead</b>	1.8 m, AUS/NZ plug
<b>Beam angle</b>	30°
<b>Power consumption</b>	< 5 watt
<b>Base Housing</b>	Plastic
<b>Lamp Head</b>	Plastic
<b>Gooseneck</b>	Metal with silicone sleeving
<b>Accessory</b>	Bench clamp (ML312) Wall bracket (ML307) Mobile stand (ML131)
<b>Weight net</b>	1.2kg
<b>Weight carton</b>	2kg
<b>Carton dimensions</b>	L43 x W23 x H12 cm

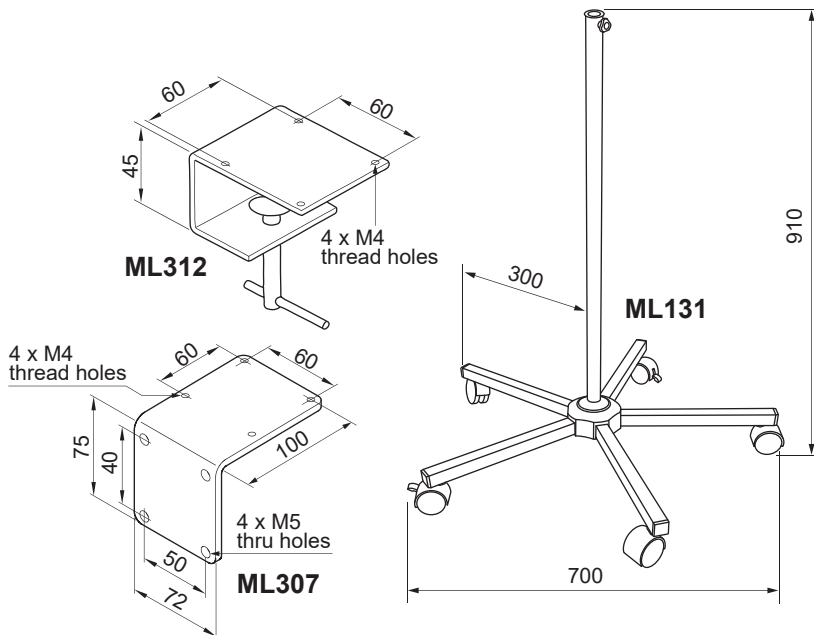


ML 308-LED detailing

### DIMENSIONS (Millimetres)



### ACCESSORIES



BENCH CLAMP ML312  
WALL BRACKET ML307  
MOBILE STAND ML131

Data may vary due to component tolerances.  
E & OE

PH:1300 788 239  
www.redbank.net.au  
©07.2017 Redbank Group

**MAGGYLAMP**<sup>®</sup>  
lighting