

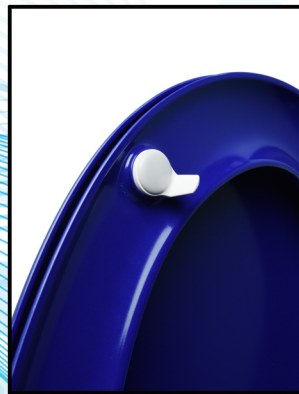
DESCRIPTION

The Haron TS-785 604 CITTE Double Flap Blue Toilet Seat is Designed for Care / Commercial or Residential use

This Citte seat feature adjustable locking front buffers to ensure lateral stability for use in facilities where some care is required to avoid sideways movement



SLOW CLOSE



Adjustable Locking Buffers



Stainless Steel Solid Axle



Carton Packed

HARDWARE KIT

- Includes Top & Bottom Fixing Bolts and Nuts to suit most pans including back to wall - close coupled

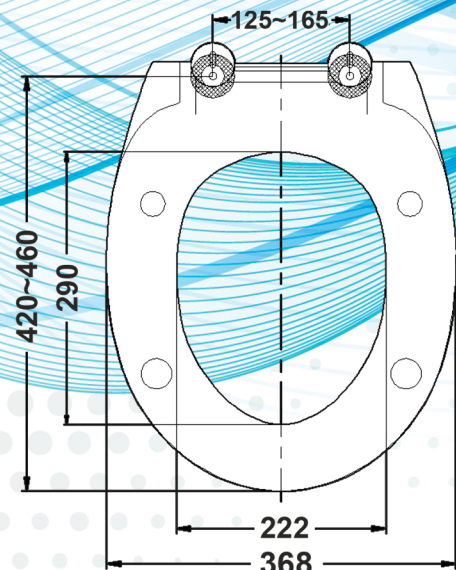
LOCKING STABILITY BUFFERS

HINGE SYSTEM

- The Seat features a solid axle Stainless Steel hinge system, is adjustable and can be either top fixed (Blind Fixing) or bottom fixed depending on the type of pan

MATERIAL

- Strong compression moulded Duroplast / UF seat with a ceramic look and feel, and providing design features for specialised needs
- **Blue to assist with Alzheimer's & Vision Impaired**



- Melrose Seat complies with AS 1428